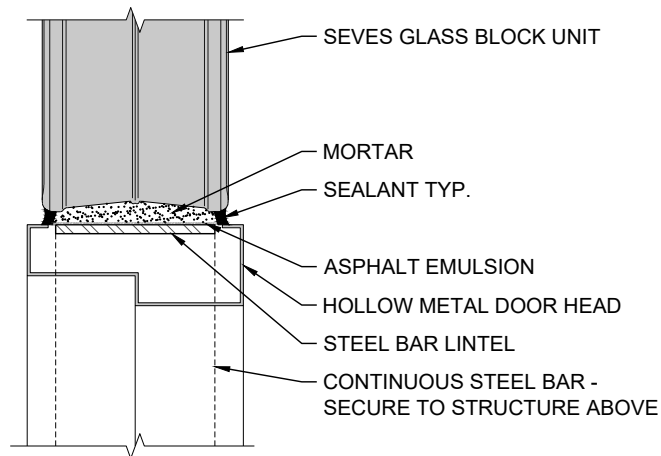


PLAN ( JOINT ABOVE JAMB )



SECTION/ELEVATION

## HOLLOW METAL DOOR FRAME AT GLASS BLOCK



PROJECT PREMIERE™ CONSTRUCTION DETAIL		
TITLE HEAD - HOLLOW METAL DOOR FRAME AT GLASS BLOCK		
SCALE 3"=1'-0"	DWG. NO. PD-112	REV 0
BY MAI	DATE 05/11/2020	SHEET 1

CONFIDENTIAL – PROPRIETARY THESE DRAWINGS WERE CREATED BY AND REMAIN THE PROPERTY OF SEVES GLASS BLOCK INC. UNAUTHORIZED DISCLOSURE, DISTRIBUTION OR COPYING OF THESE DRAWINGS IS STRICTLY PROHIBITED. THE FOLLOWING DETAILS ILLUSTRATE DESIGN INTENT; VARIATIONS MAYBE ACCEPTABLE. PLEASE CONTACT SEVES GLASS BLOCK TECHNICAL DEPARTMENT FOR FURTHER CONSULTATION.