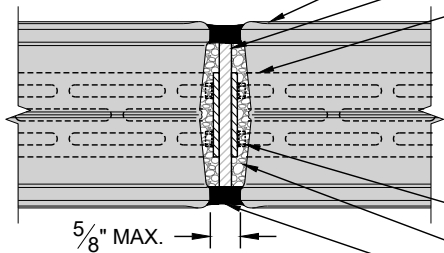
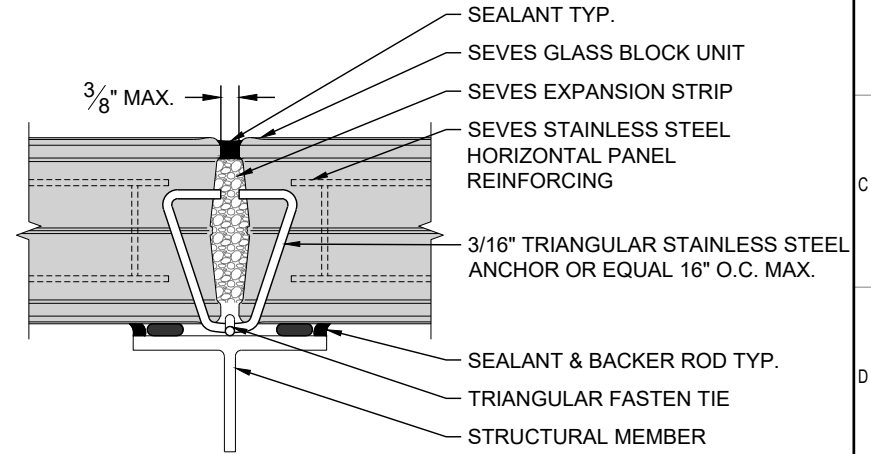


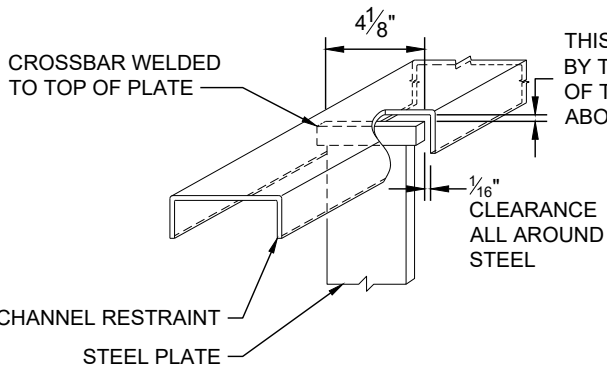
VERTICAL STIFFENER



OPTION - A  
SCALE: 3"=1'-0"



OPTION - C  
SCALE: 3"=1'-0"



THIS DIMENSION IS DETERMINED BY THE ANTICIPATED DEFLECTION OF THE STRUCTURAL MEMBRANE ABOVE THE GLASS BLOCK

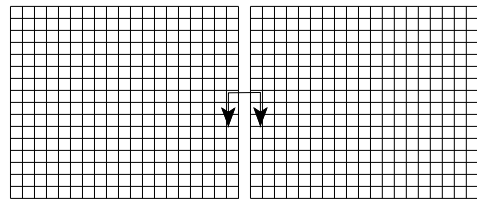
OPTION - B  
SCALE: 1 1/2"=1'-0"

NOTE: SEVES EXPANSION MATERIAL AND SEVES PANEL ANCHORS TO BE INSTALLED ON BOTH SIDES OF THE STEEL PLATE.  
\* STIFFENER SHOULD MOUNT TO SILL. ALLOW 1/16" CLEARANCE FOR STIFFENER AND CHANNEL. USE FOR DESIGN CONCEPT ONLY.  
\* PANELS WITH AN EXPANSION JOINT STIFFENER INCORPORATING A VERTICAL HIDDEN PLATE SHOULD BE LIMITED TO A MAXIMUM OF 10' (FT.) IN HEIGHT.

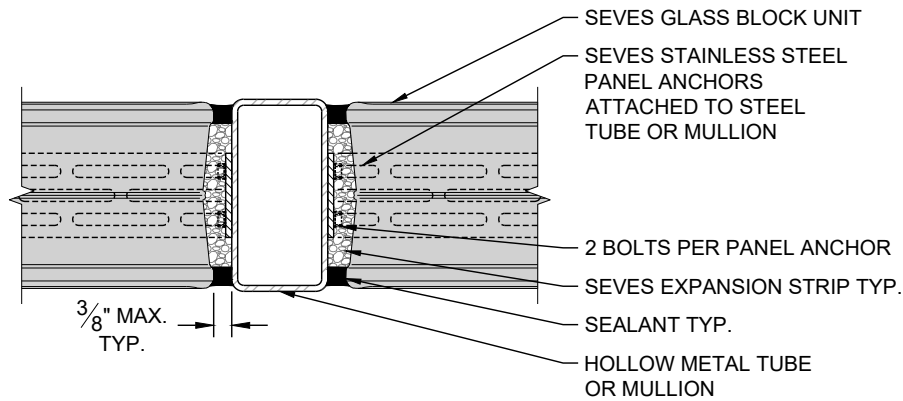
CONFIDENTIAL - PROPRIETARY THESE DRAWINGS WERE CREATED BY AND REMAIN THE PROPERTY OF SEVES GLASS BLOCK INC. UNAUTHORIZED DISCLOSURE, DISTRIBUTION OR COPYING OF THESE DRAWINGS IS STRICTLY PROHIBITED. THE FOLLOWING DETAILS ILLUSTRATE DESIGN INTENT; VARIATIONS MAYBE ACCEPTABLE. PLEASE CONTACT SEVES GLASS BLOCK TECHNICAL DEPARTMENT FOR FURTHER CONSULTATION.



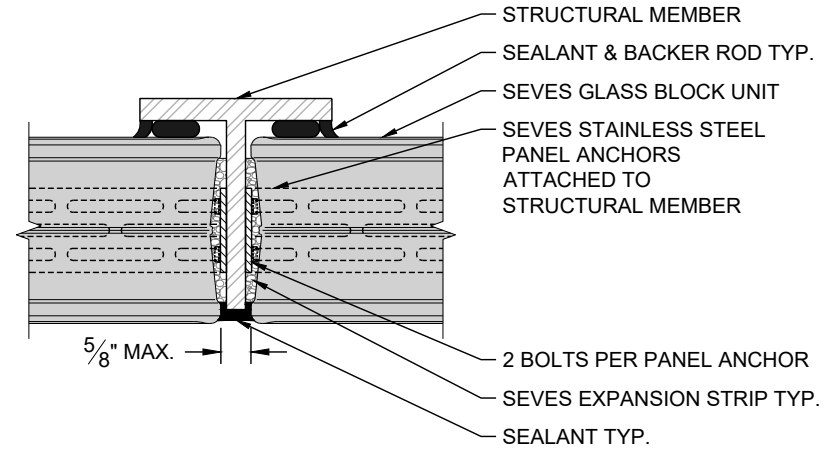
PROJECT PREMIERE™ CONSTRUCTION DETAIL		
TITLE STIFFENER - INTERMEDIATE SUPPORT IN MULTIPLE HORIZONTAL PANELS		
SCALE 3"=1'-0"	DWG. NO. PD-150	REV 0
BY MAI	DATE 05/22/2020	SHEET 1 OF 2



VERTICAL STIFFENER



OPTION - D  
SCALE: 3"=1'-0"



OPTION - E  
SCALE: 3"=1'-0"

**NOTE:** SEVES EXPANSION MATERIAL AND SEVES PANEL ANCHORS TO BE INSTALLED ON BOTH SIDES OF THE STEEL PLATE.

CONFIDENTIAL – PROPRIETARY THESE DRAWINGS WERE CREATED BY AND REMAIN THE PROPERTY OF SEVES GLASS BLOCK INC. UNAUTHORIZED DISCLOSURE, DISTRIBUTION OR COPYING OF THESE DRAWINGS IS STRICTLY PROHIBITED. THE FOLLOWING DETAILS ILLUSTRATE DESIGN INTENT; VARIATIONS MAYBE ACCEPTABLE. PLEASE CONTACT SEVES GLASS BLOCK TECHNICAL DEPARTMENT FOR FURTHER CONSULTATION.



PROJECT PREMIERE™ CONSTRUCTION DETAIL		
TITLE STIFFENER - INTERMEDIATE SUPPORT IN MULTIPLE HORIZONTAL PANELS		
SCALE 3"=1'-0"	DWG. NO. PD-150	REV 0
BY MAI	DATE 05/22/2020	SHEET 2 OF 2