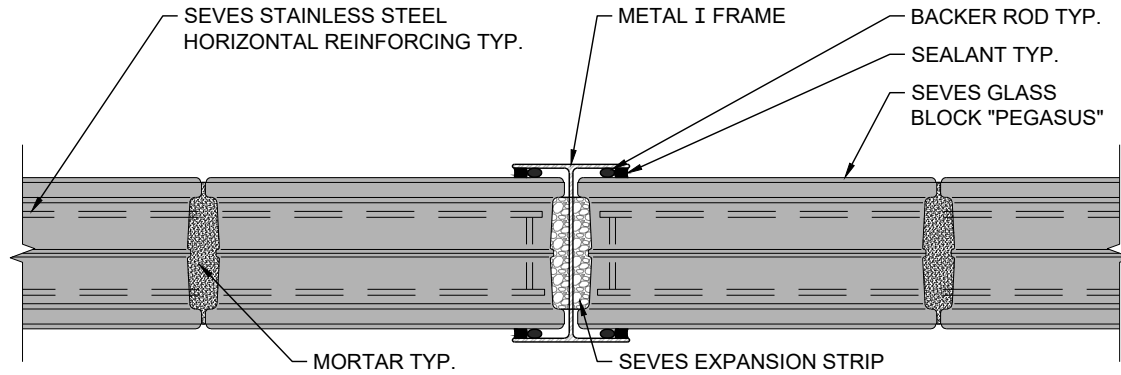


VERTICAL STIFFENER



## "I" INTERMEDIATE VERTICAL SUPPORT IN MULTIPLE PANELS

	PROJECT PEGASUS Q19 CONSTRUCTION DETAIL		
	TITLE VERTICAL STIFFENER - INTERMEDIATE VERTICAL SUPPORT IN MULTIPLE PANELS		
	SCALE 3"=1'-0"	DWG. NO. Q-452	REV 0
	BY MAI	DATE 06/06/2020	SHEET 1

CONFIDENTIAL – PROPRIETARY THESE DRAWINGS WERE CREATED BY AND REMAIN THE PROPERTY OF SEVES GLASS BLOCK INC. UNAUTHORIZED DISCLOSURE, DISTRIBUTION OR COPYING OF THESE DRAWINGS IS STRICTLY PROHIBITED. THE FOLLOWING DETAILS ILLUSTRATE DESIGN INTENT; VARIATIONS MAYBE ACCEPTABLE. PLEASE CONTACT SEVES GLASS BLOCK TECHNICAL DEPARTMENT FOR FURTHER CONSULTATION.