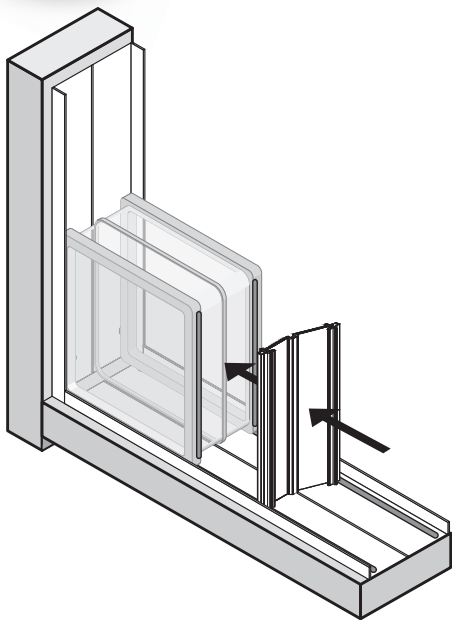


Silicone Installation Systems Assembly Instructions Design Line

For All PEGASUS Profile
Glass Block Products

*Se incluyen
las instrucciones
en español*



Seves Glass Block

Glass Block Silicone Installation System

Assembly Instructions

The installation systems described in this booklet make achieving professional installation results of SEVES Glass Block, 80mm, easy.

Installation Method #1 (Channel Construction)

- This method is used to install straight walls in 4-sided openings.
- In this method, glass block is installed in a perimeter channel.
- The maximum opening size for exterior panels is 50 square feet, framed on all four sides.
- The maximum opening size for interior panels is 85 square feet, framed on at least two sides.
- The joints of these panels may be finished with grout (see page 25), or silicone (see page 26)

Installation Method #2 (Wall Anchor Construction)

- This method is used to install straight, and 90° sharp corner and finishing pieces attached walls at two, three or four sides.
- In this method, glass block panels are secured to the wall using special wall anchors.
- The maximum opening size for exterior panels is 50 square feet, framed on all four sides.
- The maximum opening size for interior panels is 85 square feet, framed on at least two sides.
- The joints of these panels may be finished with grout (see page 25), or silicone (see page 26)

All glass block panels are non-load bearing, so adequate provisions must be made for support of construction around the panel.

The materials required for all Seves Glass Block silicone installation methods are:

- Individual Glass Block for project
- Horizontal Spacers for Pegasus
- Vertical Spacers for Pegasus
- Glass Block Silicone Sealant
- Joint Finish – Grout or Silicone
- Grout Sealer (grout finish only)
- #6 x 1" Flat Head Galvanized or Stainless Steel Screws

Installation Method #1 (Channel Construction) also requires:

- Perimeter Channel

Installation Method #2 (Anchor Construction) also requires:

- ProVantage® Wall Anchors

Tools required for installing the glass block are a utility knife, screwdriver, 2-foot level, tape measure, caulk gun, rubber mallet, electric drill, fine-tooth saw, spoon shaped finishing tool and razor blade.

For Grout Finishing you will also need a rubber float, bucket, tile/grout sponge, and cheesecloth.

Channel Construction Installation

Method #1 – Straight Applications Only

1. PREPARE THE OPENING

- A. Make sure the opening is the correct size. Use the table below to find the correct dimensions for a straight glass block wall anchored using a horizontal floor channel and two vertical channels in a framed opening.

Installation Method #1 Perimeter Channel Construction Design Line 80mm metric		
Rough Opening Width and Height (Inches)		
Number of Blocks	90mm Block Width (3-1/2")	190mm Block Width (7-1/2")
1	4"	8"
2	7 - 1/16	15 - 1/2
3	11 - 1/4	23 - 1/4
4	14 - 7/8	31 - 7/8
5	18 - 1/2	38 - 1/2
6	22 - 1/8	46 - 1/8
7	25 - 3/4	54
8	29 - 3/8	61 - 5/8
9	33	69
10	36 - 5/8	77
11	40 - 1/4	84 - 5/8
12	43 - 7/8	92 - 1/4

Note: Blocks are available in 90 mm and 190 mm sizes (3 - 1/2" and 7 - 1/2")

For panels larger than 12 block in width or height:
Add 3 - 5/8" for 90 mm wide block
Add 7 - 5/8" for 190 mm wide block

*For Rough Openings Height, Add 1/4" to Width Measurement.

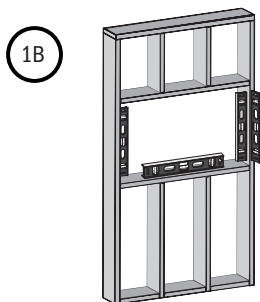
Section One

Channel Construction Installation

Method #1

Straight or 90° Corner Applications

B. Use a level to make sure the opening is level and plumb.

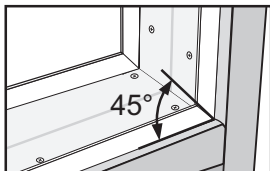
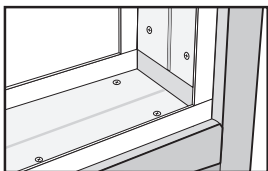


Note: If there are any problems with the opening, adjust it before proceeding.

2. INSTALL PERIMETER CHANNEL

A. Cut the channel to fit the perimeter of the opening. The channel ends may be cut straight or mitered.

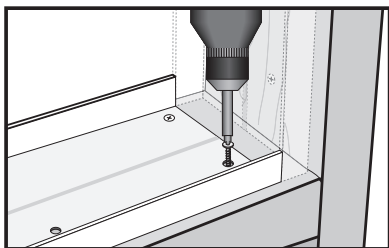
2A



B. Install the bottom channel first

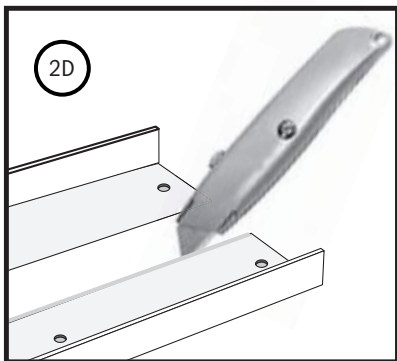
1. Apply two $\frac{1}{4}$ " beads of sealant on underside of channel horizontally $\frac{1}{2}$ " from both edges. Insert two screws in each end of the channel.

2B



Note: If the pre-drilled holes at the ends were trimmed off when cutting the channel to length, drill new ones at the ends of the cut piece.

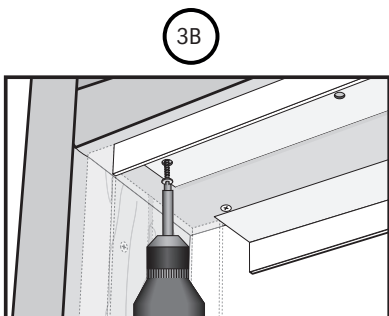
- C. Install the side channels in the same manner making sure they are plumb before attaching with screws.
- D. Cut the top channel in half lengthwise with a utility knife. Score the center groove with the knife and break the channel in half.



Note: Cutting the top channel in half will allow the top row of blocks to be installed. If panel is only one or two blocks wide, side channel will also need to be cut in half.

3. INSTALL THE TOP CHANNEL

- A. Placing the half channel in the top of the opening making sure it is aligned with the side channels.
- B. Attach the channel to the opening by inserting #6 x 1" flat head galvanized screws through the pre-drilled holes in the channel. Insert a screw at each end of the channel.



4. INSTALL THE FIRST ROW OF BLOCK

A. Cut the horizontal spacers for each course to fit snugly **inside the vertical frame channels**.

B. Open the sealant as instructed on the tube. Cut the nozzle at a 45° angle at the 1/4" mark.

C. Sealant will skin over in 15-17 minutes. Do not apply sealant to more blocks than can be installed in 10 minutes.

D. In the bottom channel apply two beads of sealant the full length of the channel 1/4" in from each side.

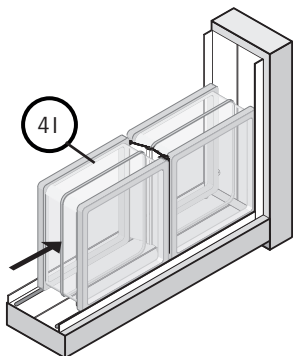
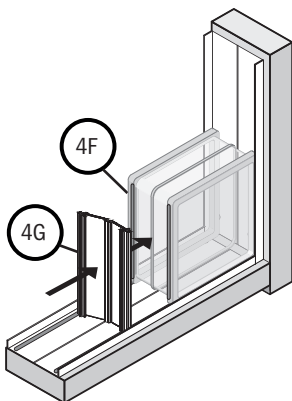
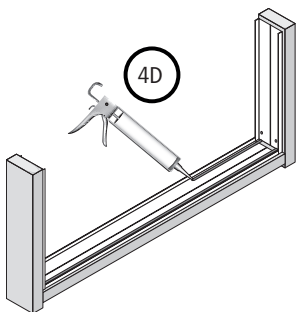
E. Place a glass block in the side channel and slide it into the bottom channel.

F. Apply two 1/4" beads of sealant behind the raised edge of glass block.

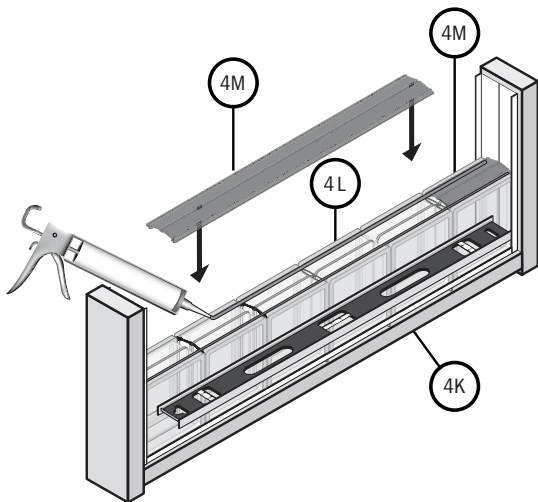
G. Press a vertical spacer into place next to the block.

H. Apply two 1/4" beads of sealant behind the raised edges of the next glass block to be inserted.

I. Insert sealant side of next block tight against the vertical spacer and apply two 1/4" beads of sealant behind the raised edge of block.



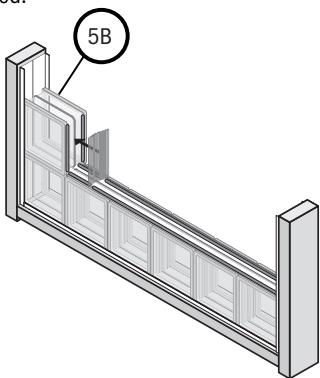
- J. Continue inserting spacers and blocks in this manner to complete the row. Do not apply sealant to the side of the last block and last spacer. Insert the last block in the side channel and slide it into the bottom channel.
- K. Check the first row for alignment of spacers and blocks. **Make sure all the blocks are sitting completely in the channel and the joints are tight.**
- L. Apply two 1/4" beads of sealant to the top of the row of blocks just behind the raised edges.
- M. Place a horizontal spacer on top of the first row of blocks. If more than one section of horizontal spacer is required, be sure to lay them end to end with the joint directly above vertical spacer. Stagger these joints on each following row.



- N. Remove any excess sealant. If necessary, adjust the size of the sealant beads to prevent squeeze out on the following rows. The joint areas must be kept clean of sealant.

5. INSTALL THE SECOND, THROUGH NEXT TO LAST, ROWS

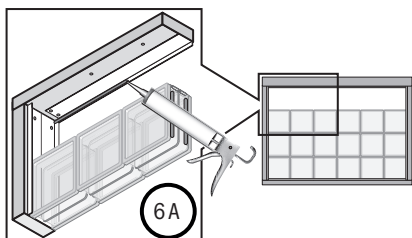
- A. Apply two 1/4" beads of sealant to the edges of the horizontal spacer, 1/4" in from edge of spacer.
- B. Install the second row
 1. Start the row from the opposite end. For example, if you installed the first row from left to right, install the second from right to left.
 2. Continue to install blocks and vertical spacers with sealant as illustrated.



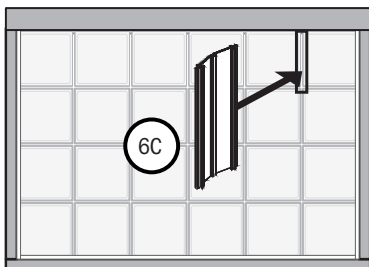
- C. Install the remaining rows in this manner until you reach the last row. Check each row for alignment vertically and horizontally.

6. INSTALL THE LAST ROW

- A. Apply a 1/4" bead of sealant horizontally along the top inside leg of the half channel at the top of the opening, where the faces of the blocks will contact the channel.

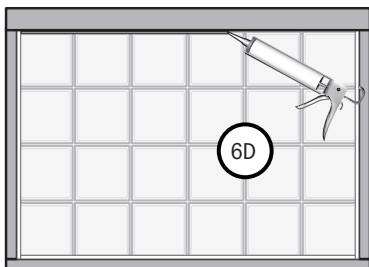


- B. Slide one block with sealant applied into the right jamb and one block into the left jamb.
- C. Install the remaining blocks in the same manner as before, except **do not apply sealant in the last vertical joint**. Insert the last spacer after installing the last block.

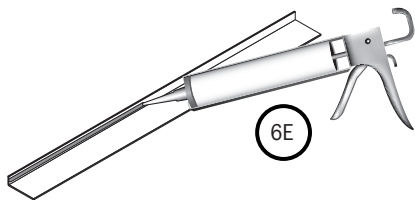


DO NOT APPLY SEALANT IN THE LAST VERTICAL JOINT

- D. Apply a 1/4" bead of sealant horizontally across the top of the opening 1/2" from the face of the glass blocks. This sealant line will be used to secure the second half of the top channel.



- E. Apply a 1/4" bead of sealant along the top inside leg of the second half channel.



- F. Slide the half channel into place between the blocks and the top of the opening. If necessary, temporarily apply a piece of tape to the channel to hold it in place until the sealant sets.

- G. Wait 24 hours before finishing the joints to allow the sealant to cure.

Note: Please go to page 25 or 26 for joint finishing instructions to complete your project.

Section Two

Wall Anchor Construction Installation

Method #2

Straight, 90° Sharp Corner

And Finishing Pieces Applications

Wall Anchor Construction Installation

Method #2 – Straight, 90° Sharp Corner And Finishing Pieces Applications

1. PREPARE OPENING OR CURB

- A. Make sure the opening is the correct size. Use the table below to find the correct dimensions for a straight glass block wall anchored on two jambs using channels.

Installation Method #2 Anchor Wall Construction Design Line 80mm Metric		
Rough Opening Width (Inches)*		
Number of Blocks	90mm Block Width (3-1/2")	190mm Block Width (7-1/2")
1	3 - 1/2	7 - 1/2
2	7 - 1/8	15 - 1/8
3	10 - 3/4	22 - 3/4
4	14 - 1/2	30 - 1/2
5	18 - 1/8	38 - 1/8
6	21 - 3/4	45 - 3/4
7	25 - 3/8	53 - 3/8
8	29	61
9	32 - 3/4	68 - 3/4
10	36 - 3/8	76 - 3/8
11	40	84
12	43 - 5/8	91 - 5/8

Note: Blocks are available in 90 mm and 190 mm sizes (3-1/2" and 7-1/2")

For panels larger than 12 block in width or height:
Add 3 - 5/8" for 90 mm wide block
Add 7 - 5/8" for 190 mm wide block

*For Rough Opening's Total Height, Add 1/4" to Width Measurement.

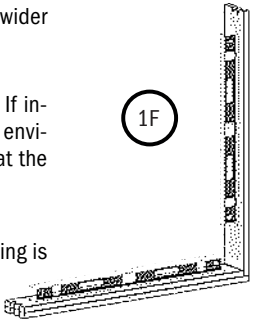
B. For walls with curves and/or angles it is recommended that you layout the first course of block for your wall before constructing a curb.

C. Make sure the curved and/or angled sections of your opening or curb are configured correctly.

D. The curb must be as wide as, or wider than, the glass block thickness.

E. Apply finish material to the curb. If installing the glass blocks in a wet environment, take steps to ensure that the curb is waterproofed.

F. Use a level to make sure the opening is level and plumb.



G. Verify all measurements. Remember, for rough opening's total height, add 1/4" to width measurement

H. If there are any problems with the opening or curb, adjust it before proceeding.

I. Available shapes and finishing pieces, with corresponding Series:

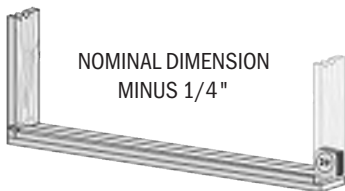
Block Shapes	Series
90° Sharp Corner	80mm Pegasus Q19
Terminal Lineare (End)	80mm Pegasus Q19
Terminal Curvo (Dbl. End)	80mm Pegasus Q19

2. TEST FIT THE FIRST ROW

A. Cut horizontal spacers for straight sections of the wall.

1. For straight walls between two jambs or one jamb and a shaped block, cut the horizontal spacer $1/4"$ shorter than the nominal dimension.

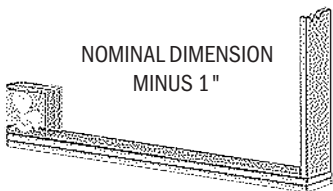
2A
1



Note: If it is necessary to have a joint in the horizontal spacer, to extend it to fit the width of the section, make sure the joint will align with a vertical spacer. Stagger these joints on each following row.

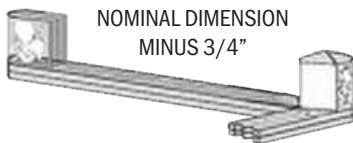
2. For straight sections between one jamb and Terminal Lineare and Terminal Curvo, cut the horizontal spacer $1"$ shorter than the nominal dimension.

2A
2



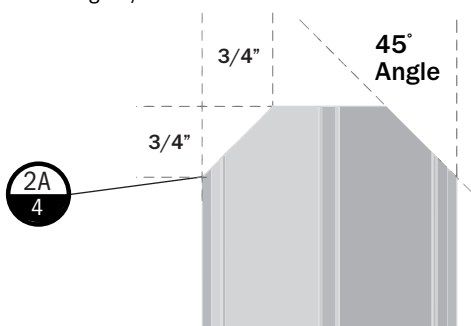
3. For straight sections between a 90° Sharp Corner and Terminal Lineare And Terminal Curvo, cut the horizontal spacer $3/4"$ shorter than the nominal dimension.

2A
3

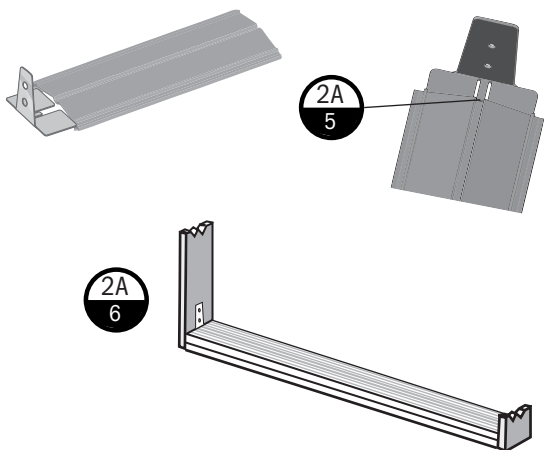


(TEST FIT THE FIRST ROW CONTINUED)

4. For Terminal Linear and Terminal Curvo, trim the end of the horizontal spacer to fit the shape by cutting the two corners at a 45° angle 3/4" from each corner.



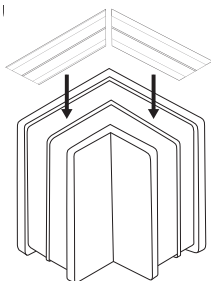
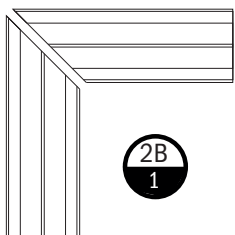
5. Insert anchors into the ends of the horizontal spacer where it meets a jamb. Make sure center finger of anchors fit into **the top of the center groove** of the spacer.



6. Place the spacer in the bottom of the opening, centered in the section. DO NOT install with screws.

B. 90° Sharp Corner Sections

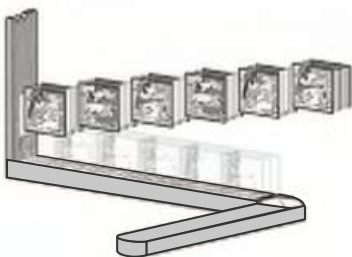
1. Cut standard spacers at 45°
2. Align spacers below block to create 90° corner.



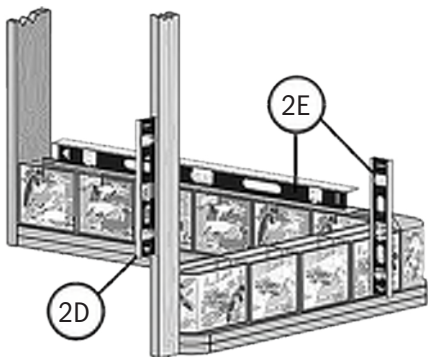
(TEST FIT THE FIRST ROW CONTINUED)

- C. Install the first row of blocks and vertical spacers, starting with first block in the jamb and continuing between all blocks in the project.

2C

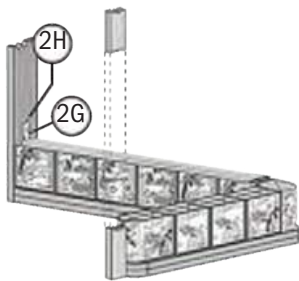


- D. If your project does not have a jamb on both ends, you may need to temporarily prop a 2 x 4 stud at the open end of the wall. Make sure the stud is plumb. This stud will serve as a plumb point for you to follow as you set blocks.

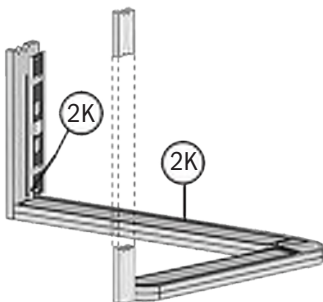


(TEST FIT THE FIRST ROW CONTINUED)

- E. Check the first row for level lengthwise and crosswise. Make sure the blocks are straight and plumb.
- F. If necessary, insert plastic shims under the channel to level the row. Use a flat blade screwdriver to lift the channel as you insert shims.
- G. Place a horizontal spacer with anchor inserted into the ends, on top of the first row.

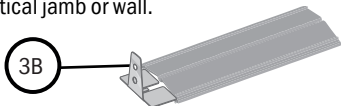


- H. Mark the location of the center of the anchor on the jamb. If your wall has two jambs, mark the centers of the anchors on both jambs. These marks will be used to draw a plumb line on the jambs.
- I. Removed the top horizontal spacer, block and vertical spacers, being careful not to disturb the bottom horizontal spacer or shims.
- J. Trace the outline of the horizontal spacers and mark the shim locations.
- K. Starting with the center mark of the first anchor, Use a level to draw a plumb line on the jambs the height of the panel. This will be the center line for all of the anchors.

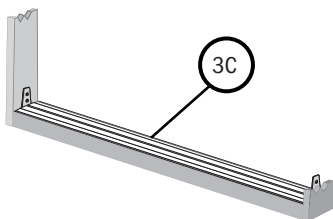


3. INSTALLING THE FIRST ROW

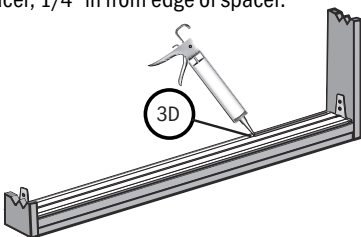
- A. Cut the horizontal spacers for each course to fit the opening.
- B. Insert an anchor into the ends of the horizontal spacer where it will meet a vertical jamb or wall.



- C. Apply two 1/4" beads of sealant to the edges of the horizontal spacers 1/4" in from the edge of the spacer. Place spacer sealant side down.

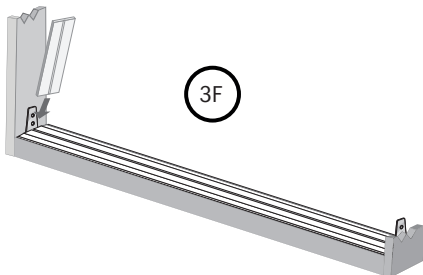


- D. Then apply two 1/4" beads of sealant to the top of this same horizontal spacer, 1/4" in from edge of spacer.



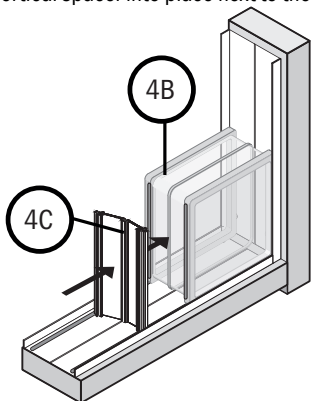
- E. Attach anchor to jamb with galvanized or stainless steel screws.

- F. Apply two 1/4" beads of sealant to a vertical half spacer, 1/4" in from edge of spacer. Place it in the vertical jamb, covering the anchor. Apply sealant 1/4" in from edge of spacer.

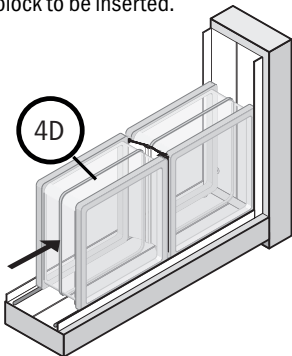


4. INSTALL THE GLASS BLOCK

- A. Place a glass block in the opening against the jamb.
- B. Apply two 1/4" beads of sealant behind the raised edge of the glass block.
- C. Press a vertical spacer into place next to the block.



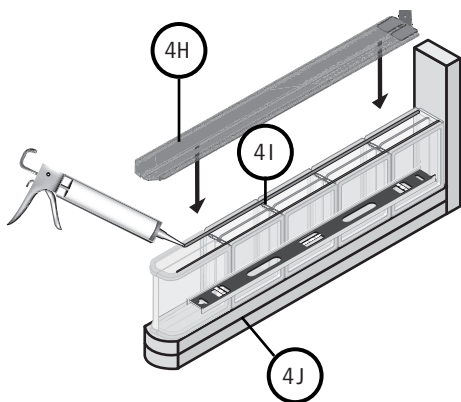
- C. Apply two 1/4" beads of sealant behind the raised edge of the next glass block to be inserted.



- D. Insert sealant side of next block tight against the vertical spacer and apply two 1/4" beads of sealant behind the raised edge of block.
- E. Continue inserting spacers and blocks in this manner to complete the row.
- F. Check the first row for alignment of spacers and blocks. Make sure all the blocks are level and the joints are tight.

G. Apply two 1/4" beads of sealant to the top of the row of blocks just behind the raised edges.

H. Place a horizontal spacer with anchors installed on top of the first row of blocks. If more than one section of horizontal spacer is required, be sure to lay them end to end with the joint directly above a vertical spacer. Stagger these joints on each following row.



I. Remove any excess sealant. If necessary, adjust the size of the sealant beads to prevent squeeze out on the following rows. The joint areas must be kept clean of sealant.

J. Install the remaining rows of glass blocks, spacers, and anchors. Check each row for alignment.

Note: Walls attached at only two or three sides may be “flexible” until they are grouted.

Grout Finishing

IMPORTANT:

Sanded acrylic polymer modified cement based grout, or urethane based sanded grout suitable for use on ceramic, porcelain, or glass tiles **MUST** be used.



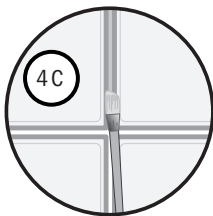
CAUTION:

Avoid contact with skin. Safety glasses and impervious gloves are recommended to minimize skin and eye contact. Also provide sufficient mechanical ventilation.

Do not finish the joints until sealant has cured for 24 hours

- A. Remove any sealant squeezed out from the joints with a utility knife.
- B. Follow directions on the Surface Grout container for grout application.

- C. For applications in humid environments, wait 72 hours and apply sealer to the grout lines with a paint brush. Immediately wipe sealer off glass surfaces to prevent it from adhering to the glass.



- D. Apply a second coat of sealer once the first coat is dry.
- E. After the grout has cured for 72 hours, caulk all perimeter joints with a bead of sealant.

Sealant Finishing of Exterior Joints

IMPORTANT:



Use Seves PH Neutral Glass Block silicone sealant.
Not recommended for shower applications.

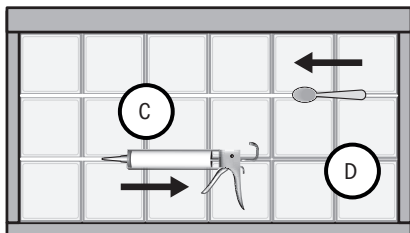
CAUTION:

Avoid contact with skin. Safety glasses and impervious gloves are recommended to minimize skin and eye contact. Also provide sufficient mechanical ventilation.

Do not finish the joints until sealant has cured for 24 hours

Note: If you are installing blocks in a moist environment or if your wall is not framed on all four sides, grout finish is recommended.

- A. Remove any sealant squeezed out from the joints with a utility knife.
- B. Open the sealant as instructed on the tube. Coverage rate is one tube per 16 blocks. Do not seal more joints than you can tool in 15 minutes.
- C. Seal the horizontal joints first by placing the nozzle of the tube in the joint at the perimeter on a 45° angle. Pull the tube along the joint while laying a bead of sealant. Slightly overfill the joints.



- D. Push a spoon shaped finishing tool over the joints at a 45° angle to collect the excess sealant and seal the joint. Periodically wipe the sealant from the finishing tool.
- E. Seal the vertical joints in the same manner. Carefully work the joint intersections to create a smooth finish.
- F. Let the sealant cure for 48 hours before putting any stress on the panel.
- G. Seal the perimeter joints with sealant.

Maintenance

An important part of the functional beauty of Seves Glass Block products is that they are virtually maintenance free! There's nothing to rot, rust, peel or paint. All that is needed is an occasional wiping with a damp, soft cloth on interior panels or a hosing on exterior panels. With minimal attention, your Seves Glass Block will remain sparkling and beautiful for years!

If you need assistance

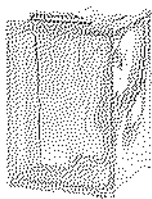
We hope these instructions are clear and answer your questions about the installation of Seves Glass Blocks and Finishing Units with the ProVantage® Glass Block Installation System. For more information on Seves Glass Block visit our website at: seves-glassblockinc.com.

The information contained herein is accurate and reliable to the best of our knowledge. But, because Seves Glass Block has no control over installation, workmanship, accessory materials, or conditions of application **NO REPRESENTATION OR WARRANTY, EXPRESSED OR IMPLIED, EITHER AS TO MERCHANTABILITY OR FITNESS FOR A PARTICULAR PURPOSE, IS MADE** as to the performance or results of an installation containing the products which extends beyond the description on the face hereof and **ANY AND ALL LIABILITY FOR NEGLIGENCE, STRICT LIABILITY OR ANY OTHER THEORY OF TORT LIABILITY IS EXPRESSLY DISCLAIMED.**

If the products otherwise fail to conform to the representations made herein, through no fault of the buyer, buyer's exclusive remedy at Seves Glass Block's option, is the repair or replacement, of the nonconforming products or return of the purchase price paid by purchaser. If replacement is elected, Seves Glass Block will not be responsible for installation or labor costs. In no event shall Seves Glass Block be responsible or liable for an incidental, special, consequential or punitive damages which might result from product failure, regardless of the theory of liability upon which any such damages are claimed.

Seves Glass Block provides written warranties for many of its products, and such warranties take precedence over the statements contained herein. You may obtain a copy of the warranty for this product by contacting Seves Glass Block.

Shaped Block:



Sharp 90° Corner



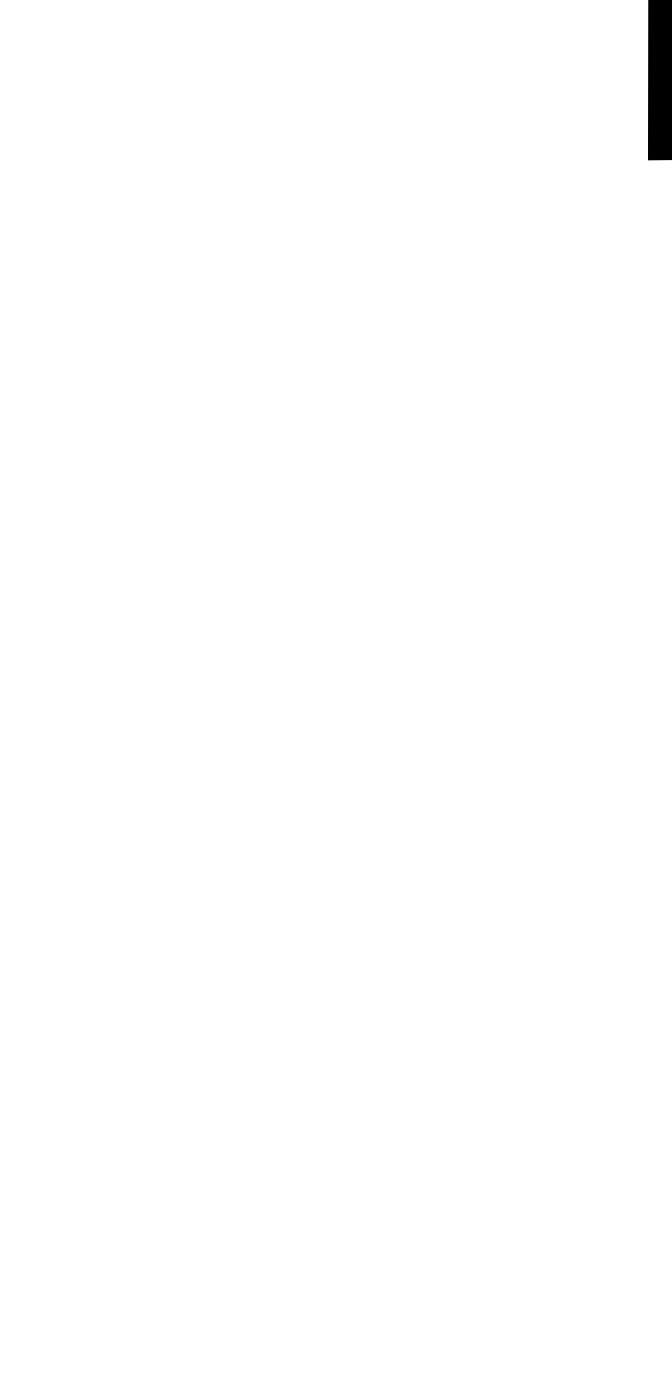
R09



Terminal Curvo



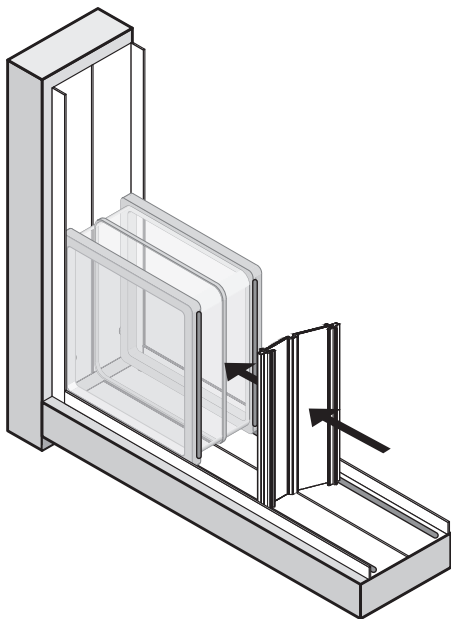
Terminal Lineare



Sistemas de instalación, Silicona

Instrucciones de Montaje Design Line

Para todos los productos de
Bloques de Vidrio de perfil PEGASUS



Seves Glass Block

Sistema de instalación de silicona para bloques de vidrio Instrucciones de Montaje

Los sistemas de instalación descritos en este folleto facilitan el logro de resultados profesionales de instalación del bloque de vidrio SEVES, 80 mm.

Método de instalación #1 (construcción de canales)

- Este método se utiliza para instalar paredes rectas en aberturas de 4 lados.
- En este método, el bloque de vidrio se instala en un canal perimetral.
- El tamaño máximo de apertura para paneles exteriores es de 50 pies cuadrados, enmarcados en los cuatro lados.
- El tamaño máximo de apertura para paneles interiores es de 85 pies cuadrados, enmarcados en al menos dos lados.
- Las juntas de estos paneles se pueden terminar con lechada (ver página 25) o silicona (ver página 26)

Método de instalación #2 (Anclaje de pared)

- Este método se utiliza para instalar esquinas rectas y afiladas de 90° y piezas de acabado adheridas a paredes en dos, tres o cuatro lados.
- En este método, los paneles de bloques de vidrio se fijan a la pared con anclajes de pared especiales.
- El tamaño máximo de apertura para paneles exteriores es de 50 pies cuadrados, enmarcados en los cuatro lados.
- El tamaño máximo de apertura para paneles interiores es de 85 pies cuadrados, enmarcados en al menos dos lados.
- Las juntas de estos paneles se pueden terminar con lechada (ver página 25) o silicona (ver página 26)

Todos los paneles de bloques de vidrio no soportan carga, por lo que se deben tomar las medidas adecuadas para el soporte de la construcción alrededor del panel.

Los materiales necesarios para todos los métodos de instalación de silicona Seves Glass Block son:

- Bloque de vidrio individual para proyecto
- Espaciadores horizontales para Pegasus
- Espaciadores verticales para Pegasus
- Sellador de silicona para bloques de vidrio
- Acabado de juntas: lechada o silicona
- Sellador de lechada (solo acabado de lechada)
- Tornillos de cabeza plana galvanizados o de acero inoxidable #6 x1"

El Método de Instalación #1

(construcción de canales) también requiere:

- Canal perimetral

El Método de Instalación #2 (Ancla Construcción) también requiere:

- ProVantage® Anclajes de Pared

Las herramientas necesarias para instalar el bloque de vidrio son una navaja, un destornillador, un nivel de 2 pies, una cinta métrica, una pistola de calafateo, un mazo de goma, un taladro eléctrico, una sierra de dientes finos, una herramienta de acabado en forma de cuchara y una navaja.

Para el acabado de lechada, también necesitará un flotador de goma, un balde, para baldosas / lechada, una esponja y una gasa.

Instalación de construcción de Canales

Método #1: solo aplicaciones rectas

1. PREPARA LA APERTURA

- A. Asegúrese de que la abertura sea del tamaño correcto. Utilice la siguiente tabla para encontrar las dimensiones correctas para una pared de bloques de vidrio recta anclada con un canal de piso horizontal y dos canales verticales en una abertura enmarcada.

Instalación Método #1 Construcción del Canal Perimetral Design Line - Métrica de 80mm		
Ancho y alto de apertura aproximada (Pulgadas)		
Número de Bloques	Bloques de 90mm Anchura (3-1/2")	Bloques de 190mm Anchura (7-1/2")
1	4"	8"
2	7-1/16	15-1/2
3	11-1/4	23-1/4
4	14-7/8	31-7/8
5	18-1/2	38-1/2
6	22-1/8	46-1/8
7	25-3/4	54
8	29-3/8	61-5/8
9	33	69
10	36-5/8	77
11	40-1/4	84-5/8
12	43-7/8	92-1/4

Nota: Los bloques están disponibles en 90 mm y 190 mm (3-1/2" y 7-1/2")

Para paneles de más de 12 bloques de ancho o alto:
 Agregue 3-5/8" para bloque de 90 mm ancho
 Agregue 7-5/8" para bloque de 190 mm ancho

*Para la altura aproximada de las aberturas, agregue 1/4" a la medida del ancho

Seccion Uno

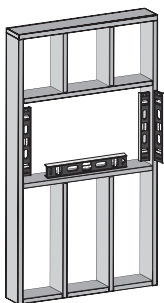
Canal Construcción Instalación

Método #1

Aplicaciones en esquinas rectas o de 90°

B. Use un nivel para asegurarse de que la abertura esté nivelada y vertical.

1B

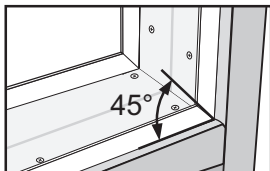
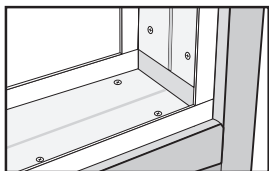


Nota: Si hay algún problema con la apertura, ajústelo antes de continuar.

2. INSTALAR CANAL PERIMETRAL

A. Corte el canal para que se ajuste al perímetro de la abertura. Los extremos del canal se pueden cortar rectos o en inglete.

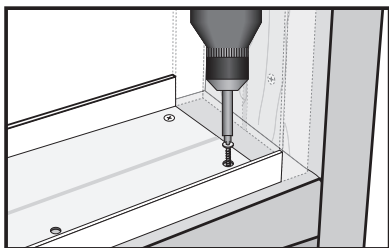
2A



B. Instale primero el canal inferior

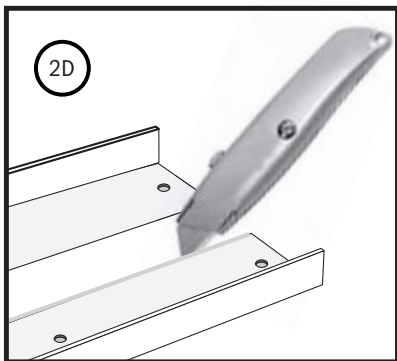
1. Aplique dos cordones de sellador de $\frac{1}{4}$ " en la parte inferior del canal horizontalmente a $\frac{1}{2}$ " de ambos bordes. Inserte dos tornillos en cada extremo del canal.

2B



Nota: Si los orificios pretaladrados en los extremos se recortaron al cortar el canal a medida, taladre nuevos en los extremos de la pieza cortada.

- C. Instale los canales laterales de la misma manera asegurándose de que estén a plomo antes de fijarlos con tornillos.
- D. Corta el canal superior por la mitad a lo largo con un cuchillo. Marque la ranura central con el cuchillo y rompa el canal por la mitad.

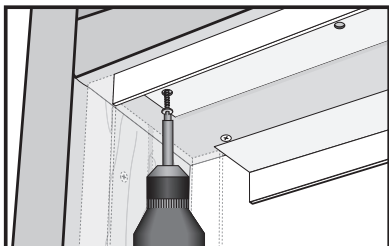


Nota: Cortar el canal superior por la mitad permitirá instalar la fila superior de bloques. Si el panel tiene solo uno o dos bloques de ancho, el canal lateral también deberá cortarse por la mitad.

3. INSTALAR EL CANAL SUPERIOR

- A. Colocando el medio canal en la parte superior de la abertura asegurándose de que esté alineado con los canales laterales.
- B. Conecte el canal a la abertura insertando tornillos galvanizados de cabeza plana #6 x1" a través de los orificios pretaladrados en el canal. Inserte un tornillo en cada extremo del canal.

3B



4. INSTALE LA PRIMERA FILA DEL BLOQUE

A. Corte los espaciadores horizontales de cada hilera para que se ajusten cómodamente **dentro de los canales del marco vertical**.

B. Abra el sellador como se indica en el tubo. Corte la boquilla en un ángulo de 45° en la marca de 1/4".

C. El sellador se pelará en 15-17 minutos. No aplique sellador a más bloques de los que se pueden instalar en 10 minutos.

D. En el canal inferior, aplique dos cordones de sellador a lo largo de todo el canal a 1/4" de cada lado.

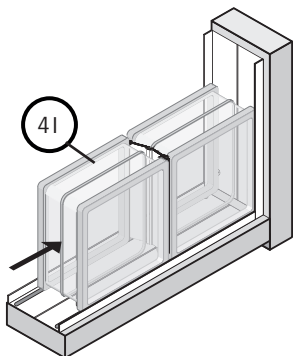
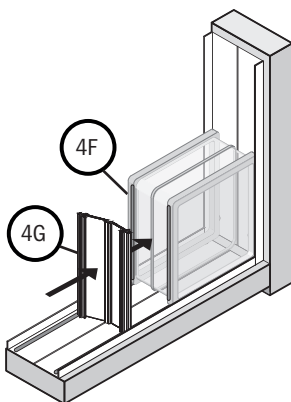
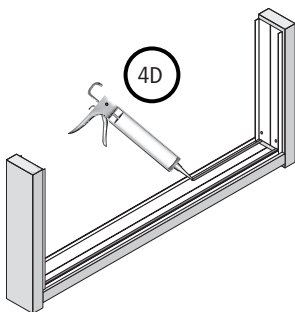
E. Coloque un bloque de vidrio en el canal lateral y deslícelo en el canal inferior.

F. Aplique dos cordones de sellador de 1/4" detrás del borde elevado del bloque de vidrio.

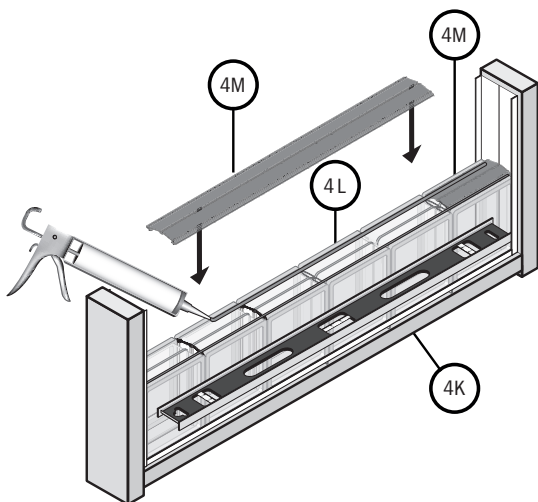
G. Presione un espaciador vertical en su lugar junto al bloque.

H. Aplique dos cordones de sellador de 1/4" detrás de los bordes elevados del siguiente bloque de vidrio que se va a insertar.

I. Inserte el lado del sellador del siguiente bloque apretado contra el espaciador vertical y aplique dos cordones de sellador de 1/4" detrás del borde elevado del bloque.



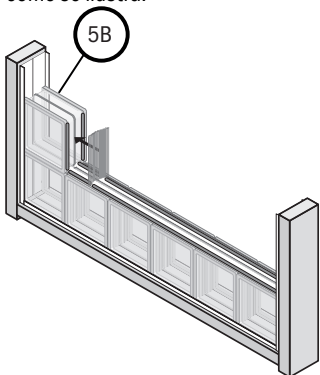
- J. Continúe insertando espaciadores y bloques de esta manera para completar la fila. No aplique sellador al lado del último bloque y al último espaciador. Inserte el último bloque en el canal lateral y deslícelo en el canal inferior.
- K. Verifique la alineación de los espaciadores y bloques en la primera fila. **Asegúrese de que todos los bloques estén completamente asentados en el canal y que las juntas estén apretadas.**
- L. Aplique dos cordones de sellador de 1/4" en la parte superior de la fila de bloques justo detrás de los bordes elevados.
- M. Coloque un espaciador horizontal encima de la primera fila de bloques. Si se requiere más de una sección de espaciador horizontal, asegúrese de colocarlos de un extremo a otro con la junta directamente sobre el espaciador vertical. Alterne estas uniones en cada fila siguiente.



- N. Retire cualquier exceso de sellador. Si es necesario, ajuste el tamaño de las perlas de sellador para evitar que se escurran en las siguientes filas. Las áreas de las juntas deben mantenerse limpias de sellador.

5. INSTALAR LA SEGUNDA, HASTA LA PENÚLTIMA, FILAS

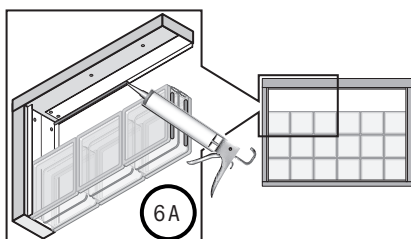
- A. Aplique dos cordones de sellador de 1/4" a los bordes del espaciador horizontal, a 1/4" hacia adentro del borde del espaciador.
- B. Instale la segunda fila.
 1. Comienza la fila desde el extremo opuesto. Por ejemplo, si instaló la primera fila de izquierda a derecha, instale la segunda de derecha a izquierda.
 2. Continúe instalando bloques y espaciadores verticales con sellador como se ilustra.



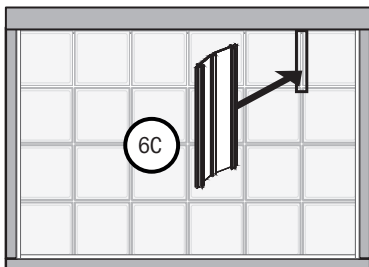
- C. Instale las filas restantes de esta manera hasta llegar a la última fila. Verifique la alineación de cada fila vertical y horizontalmente.

6. INSTALE LA ÚLTIMA FILA

- A. Aplique una cordones de sellador de 1/4" horizontalmente a lo largo de la parte interna superior del medio canal en la parte superior de la abertura, donde las caras de los bloques entrarán en contacto con el canal.

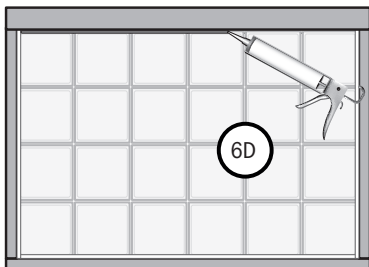


- B. Deslice un bloque con sellador aplicado en la jamba derecha y un bloque en la jamba izquierda.
- C. Instale los bloques restantes de la misma manera que antes, excepto **no aplique sellador en la última junta vertical**. Inserte el último espaciador después de instalar el último bloque.

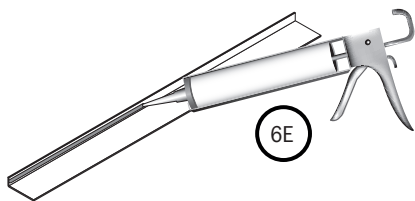


NO APLIQUE SELLADOR EN LA ÚLTIMA JUNTA VERTICAL

- D. Aplique una cordones de sellador de 1/4" horizontalmente a lo largo de la parte superior de la abertura a 1/2" de la cara de los bloques de vidrio. Esta línea de sellador se utilizará para asegurar la segunda mitad del canal superior.



E. Aplique una cordones de sellador de 1/4" a lo largo de la parte superior interior de la pierna del segundo medio canal.



F. Deslice el medio canal en su lugar entre los bloques y la parte superior de la abertura. Si es necesario, aplique temporalmente un trozo de cinta al canal para mantenerlo en su lugar hasta que el sellador fragüe.

G. Espere 24 horas antes de terminar las juntas para permitir que el sellador se cure.

Nota: Vaya a la página 25 o 26 para obtener instrucciones de acabado de juntas para completar su proyecto.

Sección Dos

Ancla de pared Construcción Instalación

Método #2

Esquina recta de 90°

Y Aplicaciones De Piezas de Acabado

Instalación de Construcción De Anclajes De Pared

Método #2 – Aplicaciones de piezas de acabado y esquinas rectas de 90°

1. PREPARE LA APERTURA O EL BORDILLO

A. Asegúrese de que la abertura sea del tamaño correcto. Use la tabla a continuación para encontrar las dimensiones correctas para una pared de bloques de vidrio recta anclada en dos jambas usando canales.

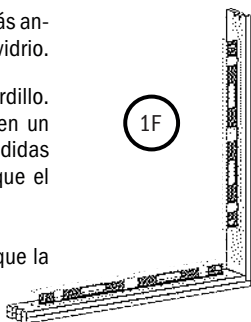
Metodo de Instalacion #2 Construcción de muros de anclaje Design Line 80mm Métrico		
Ancho de apertura aproximada (pulgadas)		
Número de Bloques	Bloques de 90mm Anchura (3-1/2")	Bloques de 190mm Anchura (7-1/2")
1	3 - 1/2	7 - 1/2
2	7 - 1/8	15 - 1/8
3	10 - 3/4	22 - 3/4
4	14 - 1/2	30 - 1/2
5	18 - 1/8	38 - 1/8
6	21 - 3/4	45 - 3/4
7	25 - 3/8	53 - 3/8
8	29	61
9	32 - 3/4	68 - 3/4
10	36 - 3/8	76 - 3/8
11	40	84
12	43 - 5/8	91 - 5/8

Nota: Los bloques están disponibles en tamaños de 90 mm y 190 mm (3-1/2" y 7-1/2")

Para paneles de más de 12 bloques de ancho o alto:
Agregue 3 - 5/8 "para bloque de 90 mm ancho
Agregue 7 - 5/8" para bloque de 190 mm ancho

*Para la altura total de la abertura aproximada, agregue 1/4" a la medida del ancho.

- B. Para muros con curvas y / o ángulos, se recomienda que coloque el primer bloque grueso para su muro antes de construir un bordillo.
- C. Para muros con curvas y / o ángulos, se recomienda que coloque el primer bloque grueso para su muro antes de construir un bordillo.
- D. El bordillo debe ser tan ancho o más ancho que el espesor del bloque de vidrio.
- E. Aplique material de acabado al bordillo. Si instala los bloques de vidrio en un ambiente húmedo, tome las medidas necesarias para asegurarse de que el bordillo sea impermeable.
- F. Use un nivel para asegurarse de que la abertura esté nivelada y a plomo.
- G. Verifique todas las medidas. Recuerde, para la altura total de la abertura sin terminar, agregue 1/4" a la medida del ancho
- H. Si hay algún problema con la abertura o el bordillo, ajústelo antes de continuar.
- I. Formas y piezas de acabado disponibles, con la Serie correspondiente:



Formas de Bloque	Serie
90° Esquina filosa	80mm Pegasus Q19
Terminal Lineare (Final)	80mm Pegasus Q19
Terminal Curvo (Dbl. Final)	80mm Pegasus Q19

Instalación de Construcción De Anclajes De Pared

Método #2 – Aplicaciones de piezas de acabado y esquinas rectas de 90°

1. PREPARE LA APERTURA O EL BORDILLO

A. Asegúrese de que la abertura sea del tamaño correcto. Use la tabla a continuación para encontrar las dimensiones correctas para una pared de bloques de vidrio recta anclada en dos jambas usando canales.

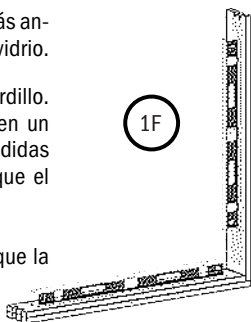
Metodo de Instalacion #2 Construcción de muros de anclaje Design Line 80mm Métrico		
Ancho de apertura aproximada (pulgadas)		
Número de Bloques	Bloques de 90mm Anchura (3-1/2")	Bloques de 190mm Anchura (7-1/2")
1	3 - 1/2	7 - 1/2
2	7 - 1/8	15 - 1/8
3	10 - 3/4	22 - 3/4
4	14 - 1/2	30 - 1/2
5	18 - 1/8	38 - 1/8
6	21 - 3/4	45 - 3/4
7	25 - 3/8	53 - 3/8
8	29	61
9	32 - 3/4	68 - 3/4
10	36 - 3/8	76 - 3/8
11	40	84
12	43 - 5/8	91 - 5/8

Nota: Los bloques están disponibles en tamaños de 90 mm y 190 mm (3-1/2" y 7-1/2")

Para paneles de más de 12 bloques de ancho o alto:
Agregue 3 - 5/8 "para bloque de 90 mm ancho
Agregue 7 - 5/8" para bloque de 190 mm ancho

*Para la altura total de la abertura aproximada, agregue 1/4" a la medida del ancho.

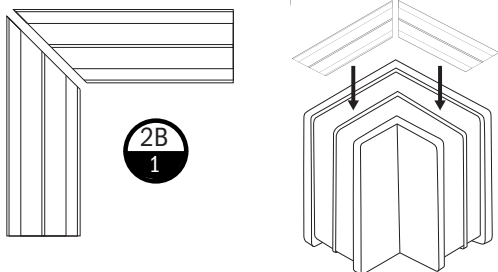
- B. Para muros con curvas y / o ángulos, se recomienda que coloque el primer bloque grueso para su muro antes de construir un bordillo.
- C. Para muros con curvas y / o ángulos, se recomienda que coloque el primer bloque grueso para su muro antes de construir un bordillo.
- D. El bordillo debe ser tan ancho o más ancho que el espesor del bloque de vidrio.
- E. Aplique material de acabado al bordillo. Si instala los bloques de vidrio en un ambiente húmedo, tome las medidas necesarias para asegurarse de que el bordillo sea impermeable.
- F. Use un nivel para asegurarse de que la abertura esté nivelada y a plomo.
- G. Verifique todas las medidas. Recuerde, para la altura total de la abertura sin terminar, agregue 1/4" a la medida del ancho
- H. Si hay algún problema con la abertura o el bordillo, ajústelo antes de continuar.
- I. Formas y piezas de acabado disponibles, con la Serie correspondiente:



Formas de Bloque	Serie
90° Esquina filosa	80mm Pegasus Q19
Terminal Lineare (Final)	80mm Pegasus Q19
Terminal Curvo (Dbl. Final)	80mm Pegasus Q19

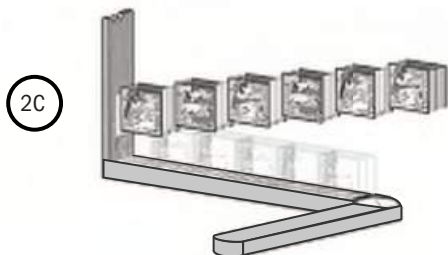
B. Secciones de esquina afiladas de 90°

1. Cortar espaciadores estándar a 45°
2. Alinee los espaciadores debajo del bloque para crear una esquina de 90°.

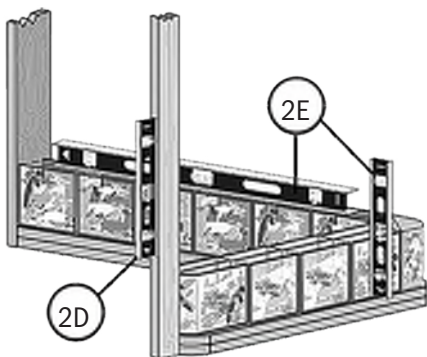


(PRUEBA DE AJUSTE DE LA PRIMERA FILA, CONTINUACIÓN)

- C.** Instale la primera fila de bloques y espaciadores verticales, comenzando con el primer bloque en la jamba y continuando entre todos los bloques del proyecto.

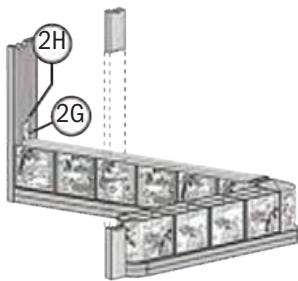


- D.** Si su proyecto no tiene una jamba en ambos extremos, es posible que deba colocar temporalmente un montante de 2"x4" en el extremo abierto de la pared. Asegúrese de que el montante esté vertical. Este montante servirá como punto de plomada para que lo siga mientras coloca los bloques.

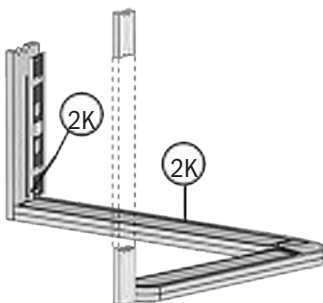


(PRUEBA DE AJUSTE DE LA PRIMERA FILA, CONTINUACIÓN)

- E. Verifique que la primera fila esté nivelada a lo largo ya lo ancho. Asegúrese de que los bloques estén rectos y aplomados.
- F. Si es necesario, inserte calzas de plástico debajo del canal para nivelar la fila. Utilice un destornillador de punta plana para levantar el canal mientras inserta las calzas.
- G. Coloque un espaciador horizontal con anclaje insertado en los extremos, encima de la primera fila.

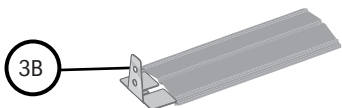


- H. Marque la ubicación del centro del ancla en la jamba. Si su pared tiene dos jambas, marque los centros de los anclajes en ambas jambas. Estas marcas se utilizarán para trazar una plomada en las jambas.
- I. Se retiraron el espaciador horizontal superior, el bloque y los espaciadores verticales, teniendo cuidado de no alterar el espaciador horizontal inferior o las calzas.
- J. Trace el contorno de los espaciadores horizontales y marque las ubicaciones de las calzas.
- K. Comenzando con la marca central del primer anclaje, use un nivel para dibujar una línea de plomada en las jambas a la altura del panel. Esta será la línea central de todos los anclajes.

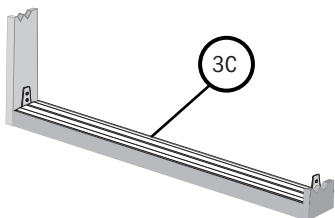


3. INSTALACIÓN DE LA PRIMERA FILA

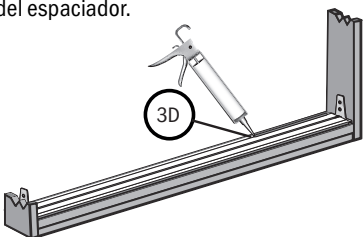
- A. Corte los espaciadores horizontales de cada hilera para que se ajusten a la abertura.
- B. Inserte un ancla en los extremos del espaciador horizontal donde se encontrará con una jamba o pared vertical.



- C. Aplique dos cordones de sellador de 1/4" a los bordes de los espaciadores horizontales a 1/4" hacia adentro del borde del espaciador. Coloque el sellador espaciador hacia abajo.

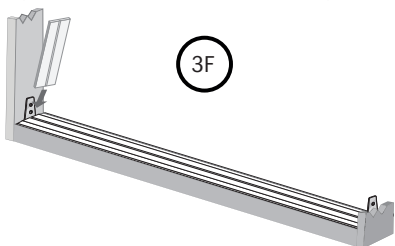


- D. Luego aplique dos cordones de sellador de 1/4" en la parte superior de este mismo espaciador horizontal, a 1/4" hacia adentro del borde del espaciador.



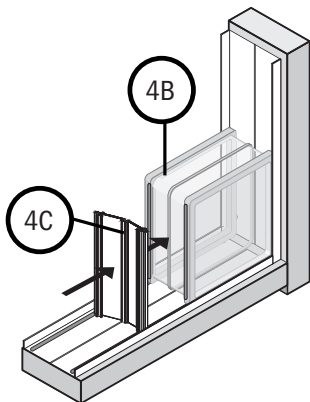
- E. Fije el ancla a la jamba con tornillos de acero galvanizado o inoxidable.

- F. Aplique dos cordones de sellador de 1/4" a un medio espaciador vertical, a 1/4" hacia adentro del borde del espaciador. Colóquelo en la jamba vertical, cubriendo el ancla. Aplique sellador a 1/4" hacia adentro del borde del espaciador.

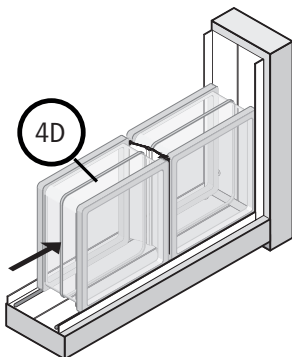


4. INSTALE EL BLOQUE DE VIDRIO

- A. Coloque un bloque de vidrio en la abertura contra la jamba.
- B. Aplique dos cordones de sellador de 1/4" detrás del borde elevado del bloque de vidrio.
- C. Presione un espaciador vertical en su lugar junto al bloque.



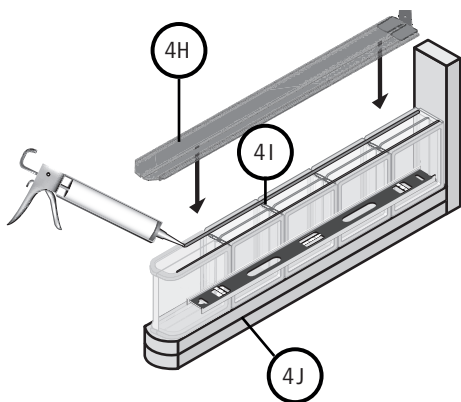
- C. Aplique dos cordones de sellador de 1/4" detrás del borde elevado del siguiente bloque de vidrio que se va a insertar.



- D. Inserte el lado del sellador del siguiente bloque apretado contra el espaciador vertical y aplique dos cordones de sellador de 1/4" detrás del borde elevado del bloque.
- E. Continúe insertando espaciadores y bloques de esta manera para completar la fila.
- F. Verifique la alineación de los espaciadores y bloques en la primera fila. Asegúrese de que todos los bloques estén nivelados y que las juntas estén apretadas.

G. Aplique dos cordones de sellador de 1/4" en la parte superior de la fila de bloques justo detrás de los bordes elevados.

H. Coloque un espaciador horizontal con anclajes instalados encima de la primera fila de bloques. Si se requiere más de una sección de espaciador horizontal, asegúrese de colocarlos de un extremo a otro con la junta directamente sobre un espaciador vertical. Alterne estas uniones en cada fila siguiente.



I. Retire cualquier exceso de sellador. Si es necesario, ajuste el tamaño de las perlas de sellador para evitar que se escurran en las siguientes filas. Las áreas de las juntas deben mantenerse limpias de sellador.

J. Instale las filas restantes de bloques de vidrio, espaciadores y anclajes. Verifique la alineación de cada fila.

Note: Walls attached at only two or three sides may be “flexible” until they are grouted.

Acabado de Lechada

IMPORTANTE:

TIENE que usarse lechada a base de cemento modificado con polímero acrílico lijado o lechada lijada a base de uretano adecuada para su uso en baldosas de cerámica, porcelana o vidrio.



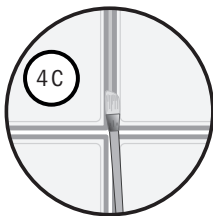
PRECAUCIÓN:

Evite el contacto con la piel. Se recomiendan gafas de seguridad y guantes impermeables para minimizar el contacto con la piel y los ojos. También proporcione suficiente ventilación mecánica.

NO termine las juntas hasta el sellador se ha curado durante 24 horas

- A. Retire cualquier sellador exprimido de las juntas con un cuchillo.
- B. Siga las instrucciones del recipiente de Surface Grout para la aplicación de la lechada.

- C. Para aplicaciones en ambientes húmedos, espere 72 horas y aplique sellador a las líneas de lechada con una brocha. Limpie inmediatamente el sellador de las superficies de vidrio para evitar que se adhiera al vidrio.



- D. Aplique una segunda capa de sellador una vez que la primera capa esté seca.
- E. Después de que la lechada se haya secado durante 72 horas, selle todas las juntas perimetrales con una gota de sellador.

Acabado Sellante de Juntas Exteriores

IMPORTANTE:



Utilice el sellador de silicona **Seves PH Neutral Glass Block**.
No recomendado para aplicaciones de ducha.

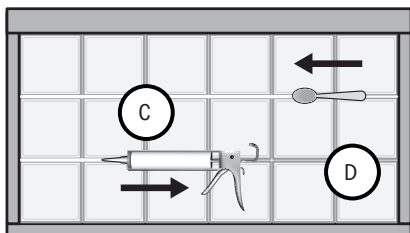
PRECAUCIÓN:

Evite el contacto con la piel. Se recomiendan gafas de seguridad y guantes impermeables para minimizar el contacto con la piel y los ojos. También proporcione suficiente ventilación mecánica.

NO termine las juntas hasta el sellador se ha curado durante 24 horas

Note: Si está instalando bloques en un ambiente húmedo o si su pared no está enmarcada en los cuatro lados, se recomienda el acabado con lechada.

- Retire cualquier sellador exprimido de las juntas con un cuchillo.
- Abra el sellador como se indica en el tubo. La tasa de cobertura es de un tubo por cada 16 bloques. No selle más juntas de las que pueda utilizar en 15 minutos.
- Primero selle las juntas horizontales colocando la boquilla del tubo en la junta en el perímetro en un ángulo de 45°. Jale el tubo a lo largo de la junta mientras coloca una gota de sellador. Llene ligeramente las juntas.



- D. Empuje una herramienta de acabado en forma de cuchara sobre las juntas en un ángulo de 45° para recoger el exceso de sellador y sellar la junta. Limpie periódicamente el sellador de la herramienta de acabado.
- E. Selle las juntas verticales de la misma manera. Trabaje con cuidado las intersecciones de las juntas para crear un acabado suave.
- F. Deje que el sellador se seque durante 48 horas antes de ejercer presión sobre el panel.
- G. Selle las juntas perimetrales con sellador.

Mantenimiento

Una parte importante de la belleza funcional de los productos Seves Glass Block es que prácticamente no necesitan mantenimiento. No hay nada que pudrirse, oxidarse, pelar o pintar. Todo lo que se necesita es una limpieza ocasional con un paño suave y húmedo en los paneles interiores o una manguera en los paneles exteriores. ¡Con una mínima atención, su bloque de vidrio Seves permanecerá brillante y hermoso durante años!

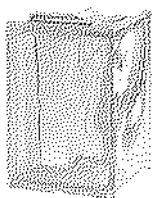
Si necesita Asistencia

Esperamos que estas instrucciones sean claras y respondan a sus preguntas sobre la instalación de bloques de vidrio y unidades de acabado Seves con el sistema de instalación de bloques de vidrio ProVantage®. Para obtener más información sobre el bloque de vidrio Seves, visite nuestro sitio web en: sevesglassblockinc.com.

La información aquí contenida es precisa y confiable a nuestro leal saber y entender. Pero, debido a que Seves Glass Block no tiene control sobre la instalación, mano de obra, materiales accesorios o condiciones de aplicación, **NO SE HACE REPRESENTACIÓN O GARANTÍA, EXPRESA O IMPLÍCITA, NI EN CUANTO A COMERCIALIZACIÓN O APTITUD PARA UN PROPÓSITO PARTICULAR, SE HACE NINGUNA REPRESENTACIÓN O GARANTÍA** una instalación que contiene los productos que se extiende más allá de la descripción en la carátula del presente y **CUALQUIER Y TODA RESPONSABILIDAD POR NEGLIGENCIA, RESPONSABILIDAD ESTRUCTURAL O CUALQUIER OTRA TEORÍA DE RESPONSABILIDAD EXTRACTIVA SE RECHAZA EXPRESAMENTE.**

Si los productos no se ajustan a las declaraciones hechas en este documento, sin culpa del comprador, el recurso exclusivo del comprador, a opción de Seves Glass Block, es la reparación o reemplazo de los productos no conformes o la devolución del precio de compra pagado por el comprador. Si se elige un reemplazo, Seves Glass Block no será responsable de los costos de instalación o mano de obra. En ningún caso Seves Glass Block será responsable por daños incidentales, especiales, consecuentes o punitivos que pudieran resultar de la falla del producto, independientemente de la teoría de responsabilidad sobre la que se reclamen dichos daños. Seves Glass Block ofrece garantías escritas para muchos de sus productos, y dichas garantías tienen prioridad sobre las declaraciones aquí contenidas. Puede obtener una copia de la garantía de este producto comunicándose con Seves Glass Block.

Shaped Block:



Esquina Rectas
de 90°



R09



Terminal Curvo



Terminal Lineare

SEVES GLASS BLOCK

Seves Glass Block Inc.
Cleveland, OH 44147

www.sevesglassblockinc.com

Todas las marcas comerciales y marcas comerciales registradas
en este folleto son propiedad y están protegidos por
Seves Glass Block Inc.