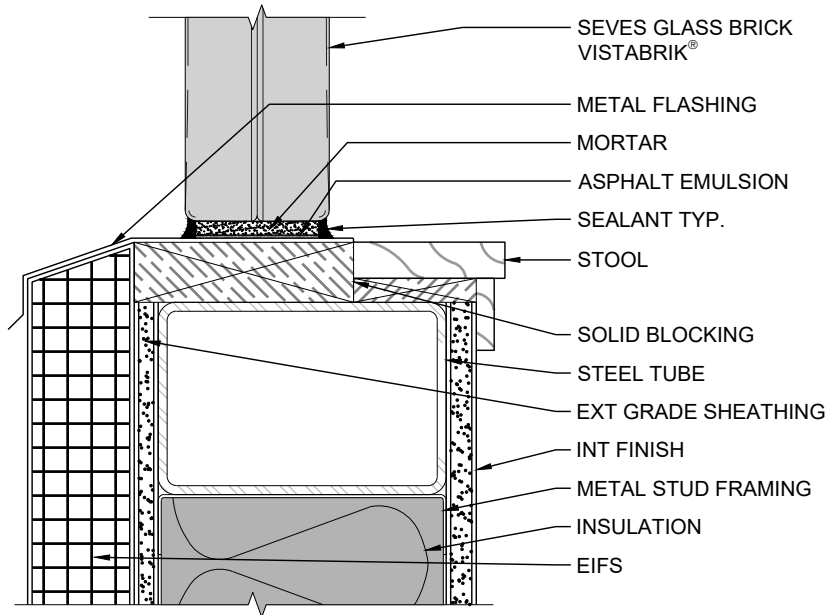


← SILL



VISTABRIK® IN METAL STUD WALL WITH SYNTHETIC PLASTER FINISH



PROJECT VISTABRIK® CONSTRUCTION DETAIL		
TITLE SILL - VISTABRIK® IN METAL STUD WALL WITH SYNTHETIC PLASTER FINISH		
SCALE 3"=1'-0"	DWG. NO. VB-230	REV 0
BY MAI	DATE 05/18/2020	SHEET 1

CONFIDENTIAL – PROPRIETARY THESE DRAWINGS WERE CREATED BY AND REMAIN THE PROPERTY OF SEVES GLASS BLOCK INC. UNAUTHORIZED DISCLOSURE, DISTRIBUTION OR COPYING OF THESE DRAWINGS IS STRICTLY PROHIBITED. THE FOLLOWING DETAILS ILLUSTRATE DESIGN INTENT; VARIATIONS MAYBE ACCEPTABLE. PLEASE CONTACT SEVES GLASS BLOCK TECHNICAL DEPARTMENT FOR FURTHER CONSULTATION.