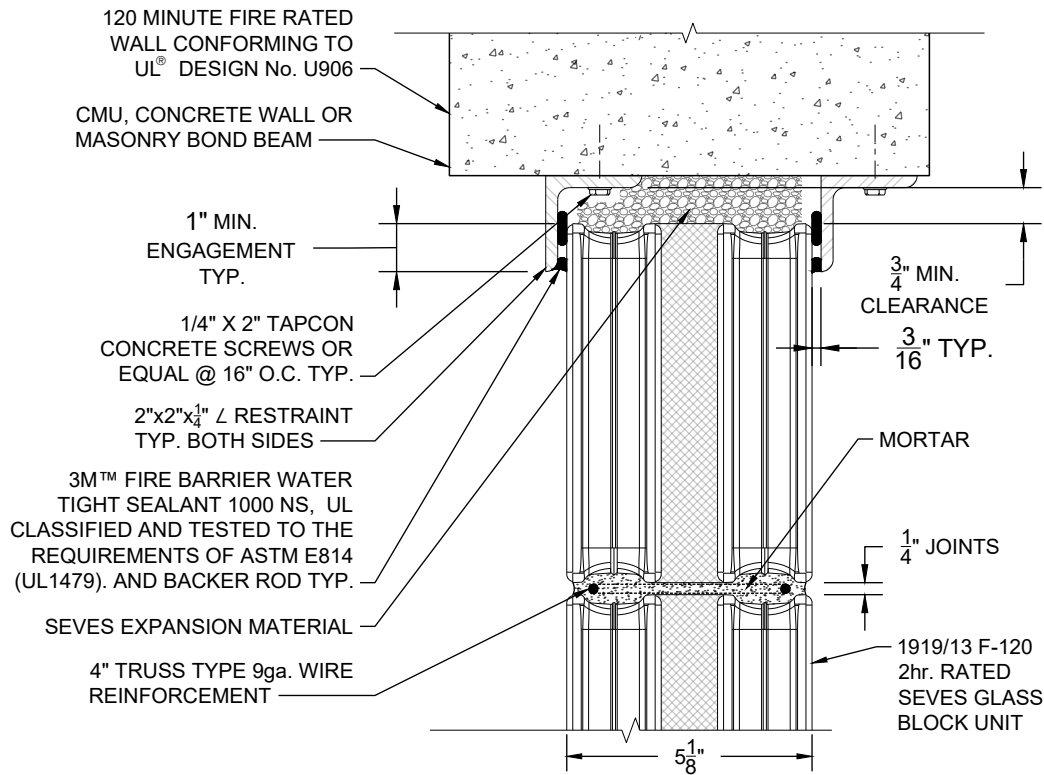
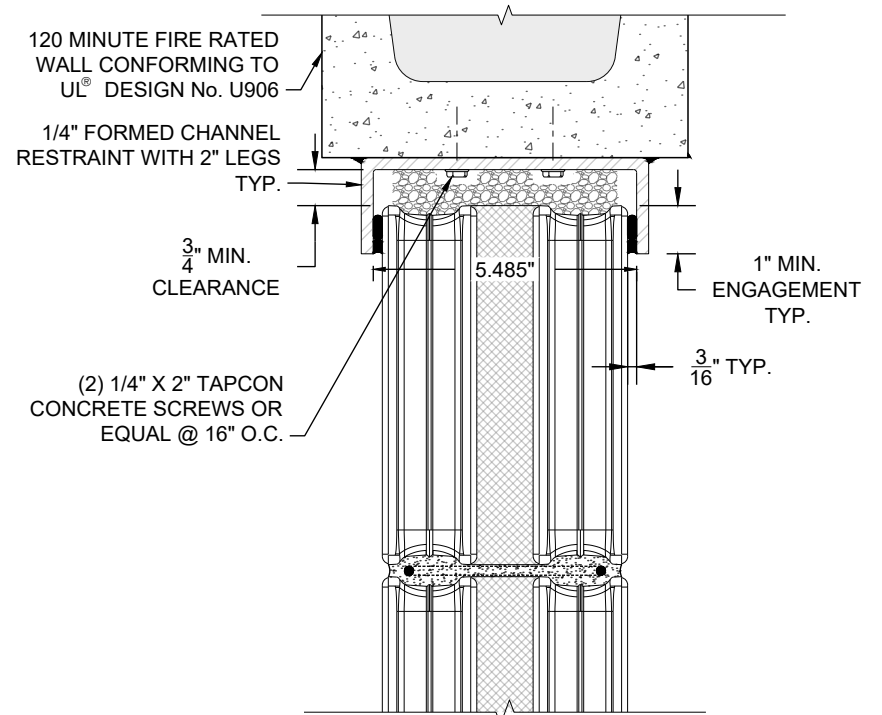


# DESIGN INTENT



**ANGLE IRON RESTRAINT**  
SCALE: 3"=1'-0"



**FORMED CHANNEL RESTRAINT**  
SCALE: 3"=1'-0"

**NOTE:**  
USE OF A MASONRY OR CONCRETE CHASE,  
ANGLE IRON OR FORMED CHANNEL  
RESTRAINT REQUIRED TO CONFORM WITH  
ASTM STANDARD

## ASTM E-119 HEAD DETAIL - 120 MIN WALL RATED FIRE GLASS BLOCK AT CMU / BOND BEAM

CONFIDENTIAL – PROPRIETARY THESE DRAWINGS WERE CREATED BY AND REMAIN THE PROPERTY OF SEVES GLASS BLOCK INC. UNAUTHORIZED DISCLOSURE, DISTRIBUTION OR COPYING OF THESE DRAWINGS IS STRICTLY PROHIBITED. THE FOLLOWING DETAILS ILLUSTRATE DESIGN INTENT; VARIATIONS MAYBE ACCEPTABLE. PLEASE CONTACT SEVES GLASS BLOCK TECHNICAL DEPARTMENT FOR FURTHER CONSULTATION.

	PROJECT ASTM E-119 WALL RATED DETAIL		
	TITLE HEAD - 120 MIN WALL RATED FIRE GLASS BLOCK AT CMU / BOND BEAM		
	SCALE 3"=1'-0"	DWG. NO. FR-113	REV 0
	BY MAI	DATE 06/01/2022	SHEET 1