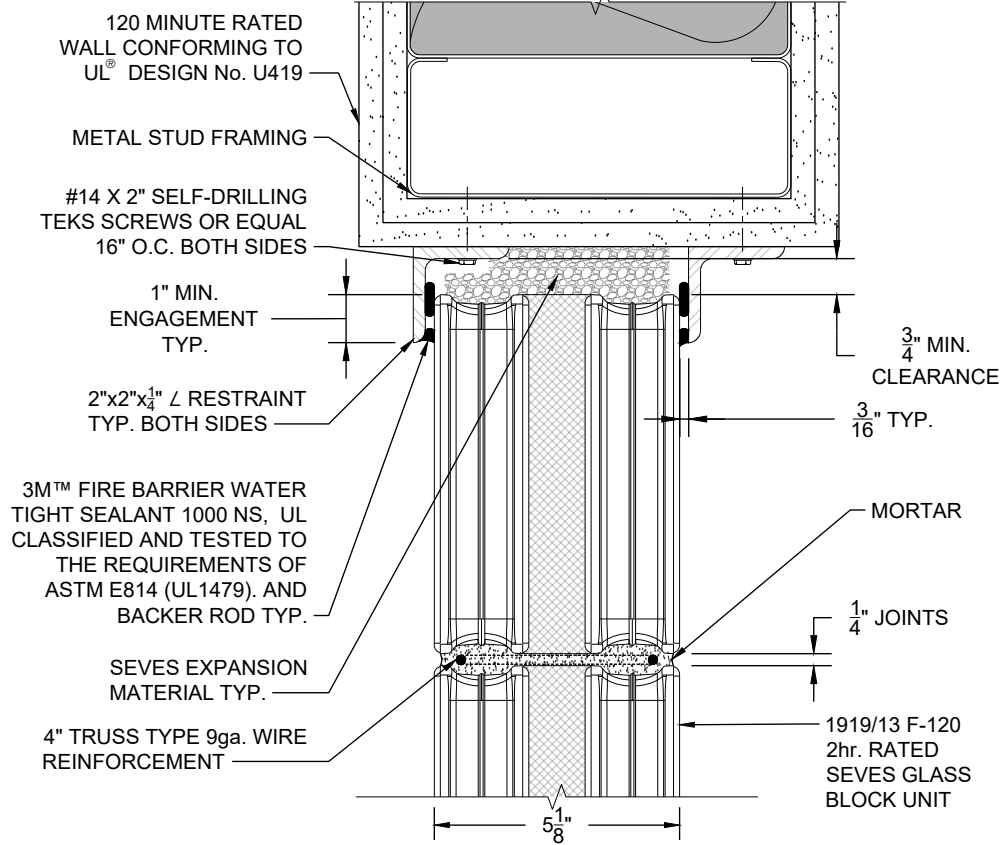
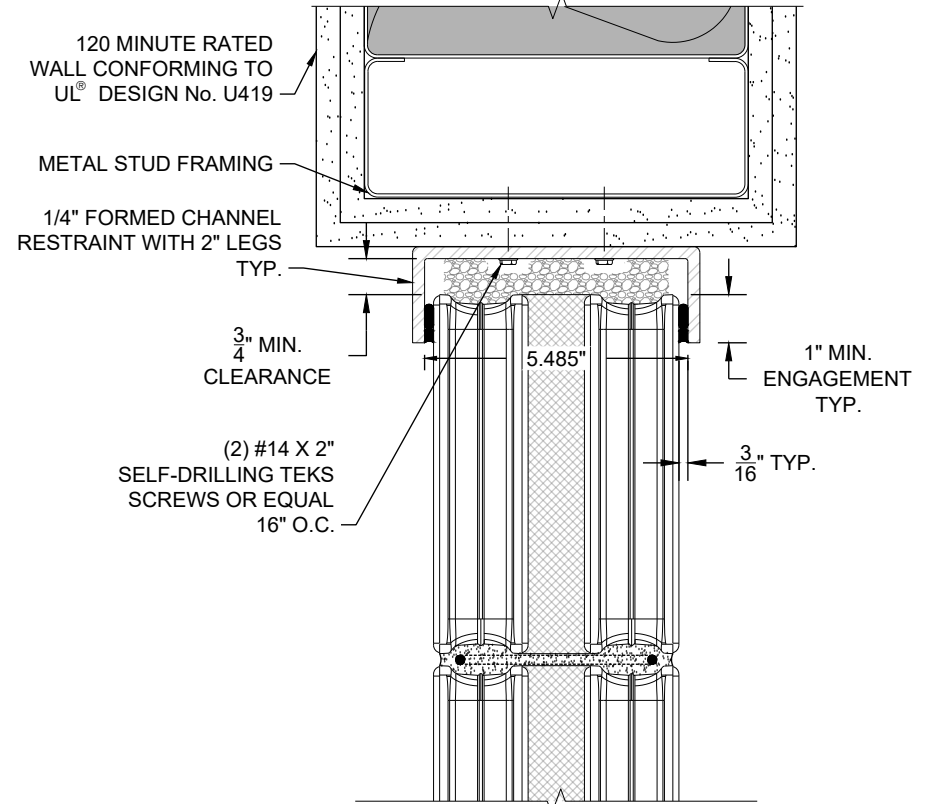


# DESIGN INTENT



**ANGLE IRON RESTRAINT**  
SCALE: 3"=1'-0"



**FORMED CHANNEL RESTRAINT**  
SCALE: 3"=1'-0"

**NOTE:**  
USE OF A MASONRY OR CONCRETE CHASE,  
ANGLE IRON OR FORMED CHANNEL  
RESTRAINT REQUIRED TO CONFORM WITH  
ASTM STANDARD

## ASTM E-119 HEAD DETAIL - 120 MIN WALL RATED FIRE GLASS BLOCK AT METAL STUD WALL

CONFIDENTIAL - PROPRIETARY THESE DRAWINGS WERE CREATED BY AND REMAIN THE PROPERTY OF SEVES GLASS BLOCK INC. UNAUTHORIZED DISCLOSURE, DISTRIBUTION OR COPYING OF THESE DRAWINGS IS STRICTLY PROHIBITED. THE FOLLOWING DETAILS ILLUSTRATE DESIGN INTENT; VARIATIONS MAYBE ACCEPTABLE. PLEASE CONTACT SEVES GLASS BLOCK TECHNICAL DEPARTMENT FOR FURTHER CONSULTATION.

<b>SEVES GLASS BLOCK</b>	PROJECT ASTM E-119 WALL RATED DETAIL		
	TITLE HEAD - 120 MIN WALL RATED FIRE GLASS BLOCK AT METAL STUD WALL		
	SCALE 3"=1'-0"	DWG. NO. FR-114	REV 0
	BY MAI	DATE 06/01/2022	SHEET 1