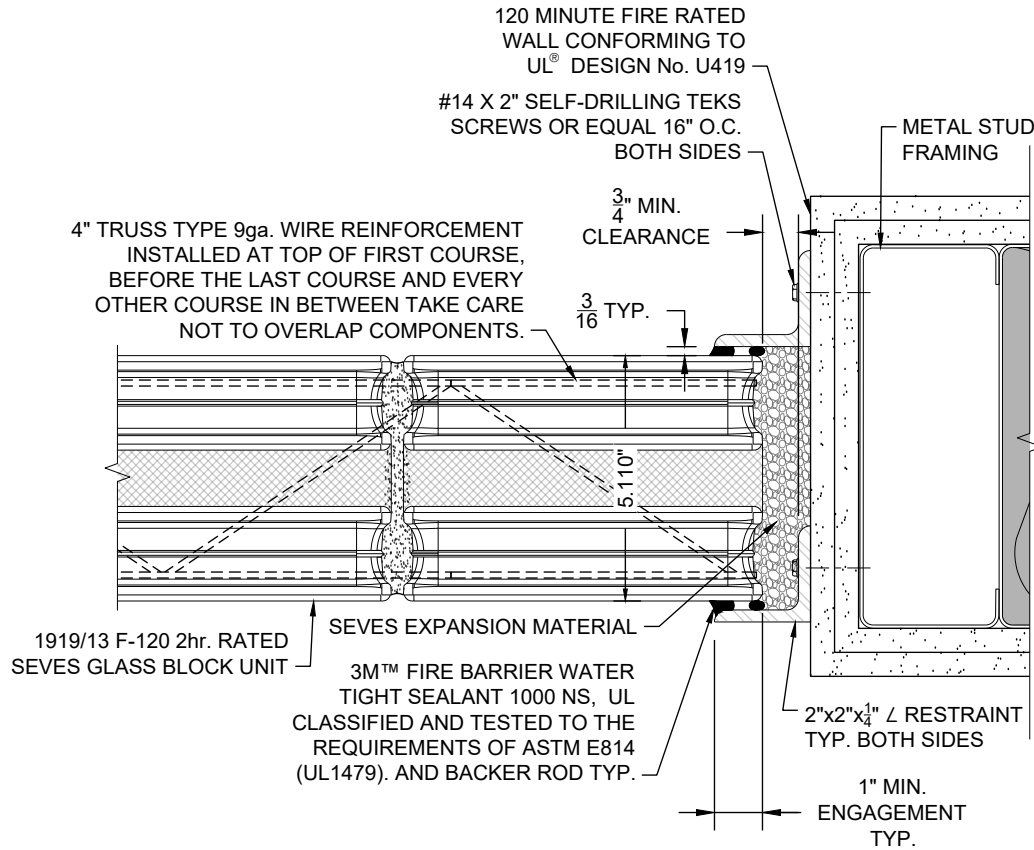


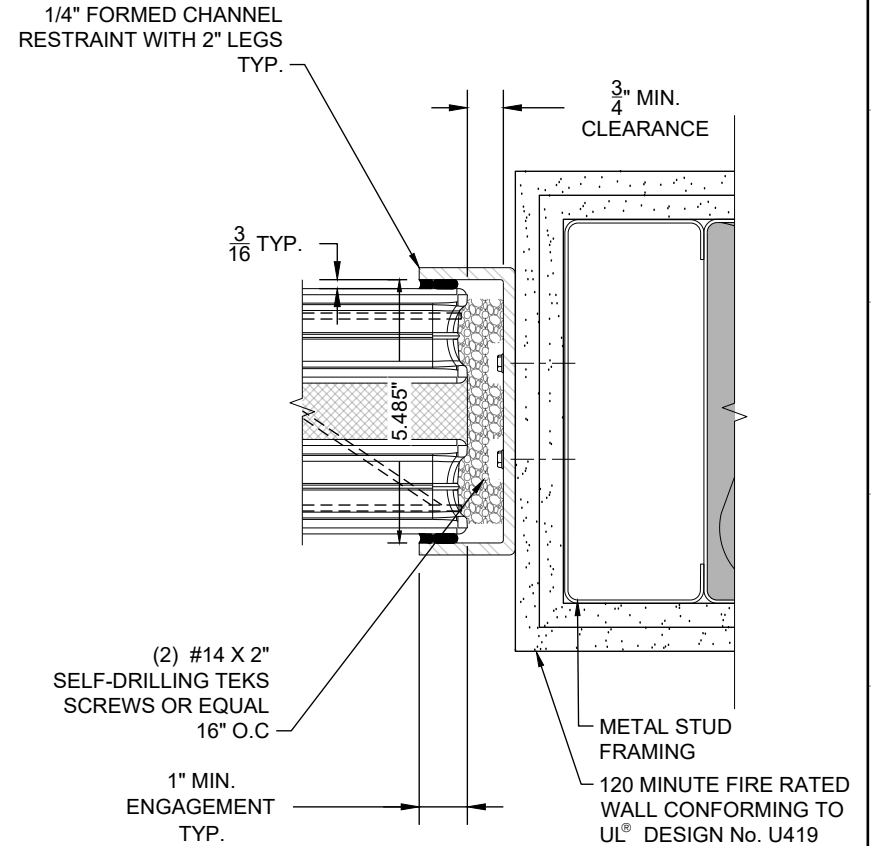
DESIGN INTENT



ANGLE IRON RESTRAINT

SCALE: 3"=1'-0"

NOTE:
USE OF A MASONRY OR CONCRETE CHASE, ANGLE IRON OR FORMED CHANNEL RESTRAINT REQUIRED TO CONFORM WITH ASTM STANDARD



FORMED CHANNEL RESTRAINT

SCALE: 3"=1'-0"

ASTM E-119 JAMB DETAIL - 120 MIN WALL RATED FIRE GLASS BLOCK AT METAL STUD WALL



PROJECT			
ASTM E-119 WALL RATED DETAIL			
TITLE			
HEAD - 120 MIN WALL RATED FIRE GLASS BLOCK AT METAL STUD WALL			
SCALE	DWG. NO.	REV	
3"=1'-0"	FR-125	0	
BY	DATE	SHEET	
MAI	06/01/2022	1	

CONFIDENTIAL – PROPRIETARY THESE DRAWINGS WERE CREATED BY AND REMAIN THE PROPERTY OF SEVES GLASS BLOCK INC. UNAUTHORIZED DISCLOSURE, DISTRIBUTION OR COPYING OF THESE DRAWINGS IS STRICTLY PROHIBITED. THE FOLLOWING DETAILS ILLUSTRATE DESIGN INTENT; VARIATIONS MAYBE ACCEPTABLE. PLEASE CONTACT SEVES GLASS BLOCK TECHNICAL DEPARTMENT FOR FURTHER CONSULTATION.